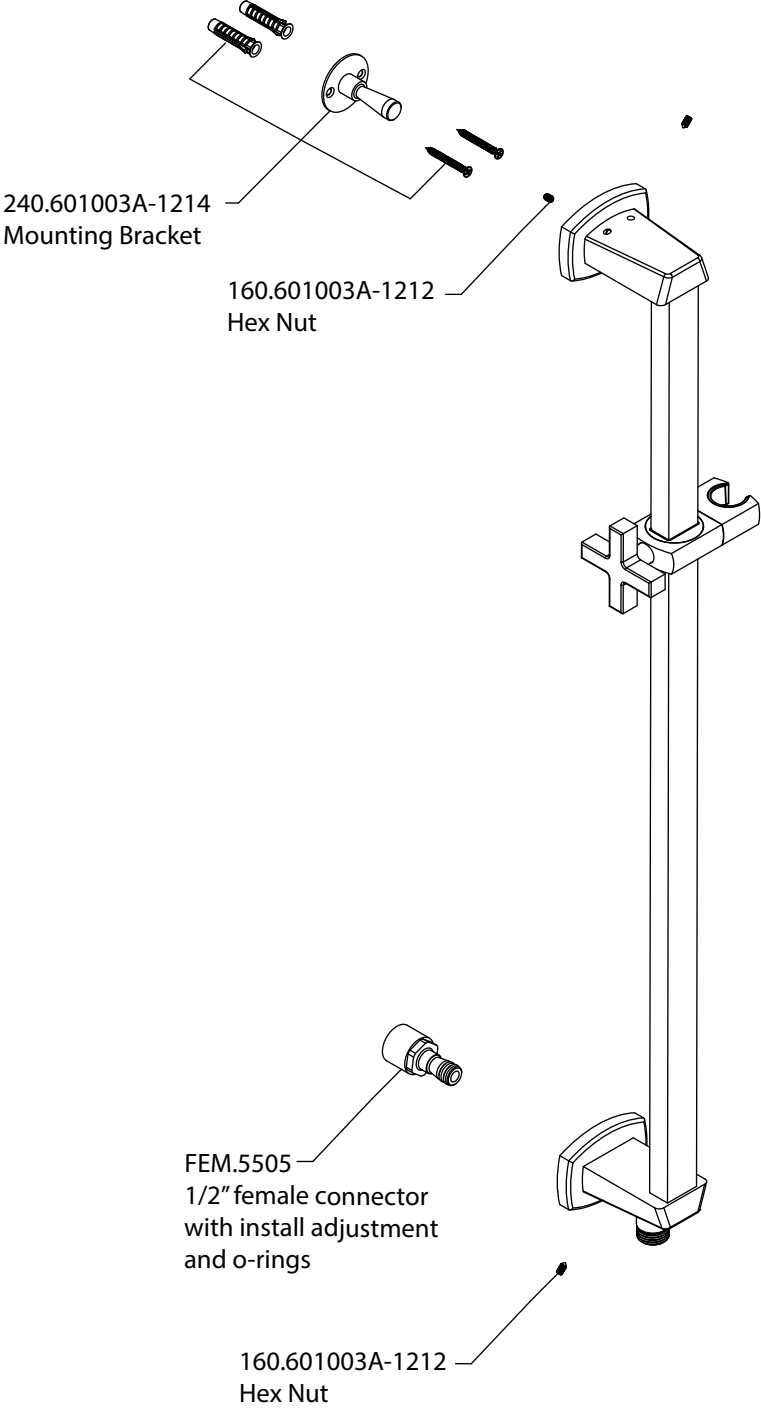


# Product Parts Breakdown



**isenberg**  
innovation+design

240.601005A

Ver 2.53